

Comet Floor & table

DESIGN | PAOLO CASTELLI



Finishes of the above picture



Fabric
Natural
col. Ivory



Matt
Brass



Oiled Canaletto
walnut

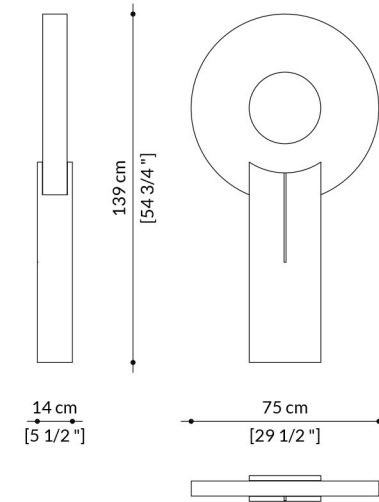


Wood with
acidetched zinc
finish

Lampade totemiche realizzate con basamento in noce Canaletto oliato o in legno metallizzato con finitura zinco acidato, impreziosito da un inserto in ottone satinato opaco. Paralume a forma di anello realizzato in tessuto naturale col. avorio.

Totemic lamps made with base in oiled Canaletto walnut or in metallized wood with acidetched zinc finish, embellished with an insert in matt satin brass. Ring-shaped lampshade made of natural fabric col. ivory.

FLOOR



FLOOR LAMP | ILL.COME.100

Base made in oiled Canaletto walnut.
Lampshade in natural fabric col. Ivory.

FLOOR LAMP | ILL.COME.101

Base made in metallized wood with acidetched zinc finish.
Lampshade in natural fabric col. Ivory.

TABLE

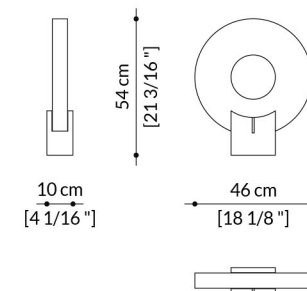


TABLE LAMP | ILL.COME.400

Base made in oiled Canaletto walnut.
Lampshade in natural fabric col. Ivory.

TABLE LAMP | ILL.COME.401

Base made in metallized wood with acidetched zinc finish.
Lampshade in natural fabric col. Ivory.

